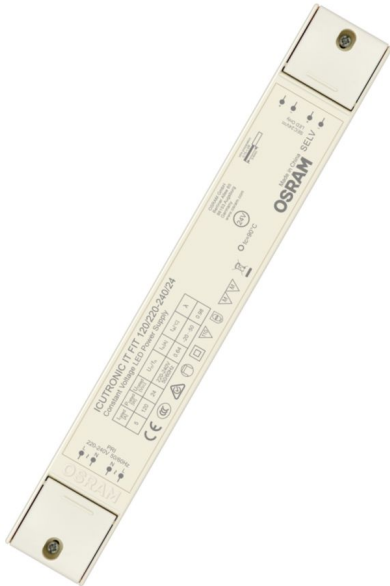


IT FIT 120/220-240/24

ICUTRONIC FIT 24V | Constant voltage ECG for LED modules



Product family features

- Wide Ta range -20 – +50 °C
- 24 V constant output voltage
- Output power up to 250 W
- High efficiency up to 93% (depend on different wattage)
- PF >0.98
- Screw terminal
- Suitable for Class I/II luminaires
- Build-in and independent installation
- 5 years guarantee*
- Cable clamp integrated
- SELV
- Overload protection
- Overtemperature protection
- Mains voltage: 220 – 240 VAC
- Lifetime: up to 50,000 h (temperature at max. t_c)
- Short circuit protection

Product family benefits

- Class II design for wide application
- Well design for Flex and Signage
- Excellent price/quality/watt ratio

Areas of application

- Hospitality – decorative lighting, night light
- Residential – cove lighting, under cabinet lighting
- Shops – decorative lighting, shelf lighting
- Restaurants – decorative lighting

Technical data

Electrical data

Nominal input voltage	220...240 V
Mains frequency	50/60 Hz
Input voltage AC	198...264 V
Input voltage DC	not relevant
Total harmonic distortion	< 5 % ¹⁾
Power factor λ	0.98
Efficiency in full-load	90 % ²⁾
Device power loss	14.8 W ³⁾
Inrush current	53 A ⁴⁾
Max. ECG no. on circuit breaker 10 A (B)	4
Max. ECG no. on circuit breaker 16 A (B)	7
Surge capability (L-N)	2 kV
Nominal output voltage	24 V
Nominal output power	120 W
Maximum output power	120 W

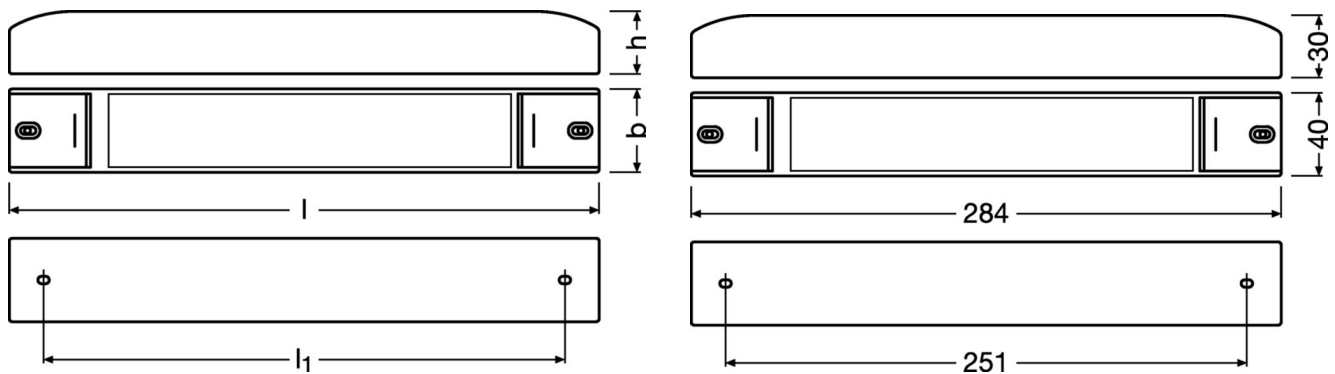
1) At full load, 230 V, 50 Hz / see graphs

2) at 230 V, 50 Hz

3) Full load, 230 Vac, 50Hz / 60Hz

4) $t_{width} = 200 \mu s$ (measured at 50 % I_{peak})

Dimensions & weight



Length	284.0 mm
Width	40.0 mm
Height	30.0 mm
Mounting hole spacing, length	251.0 mm
Mounting hole spacing, width	not relevant mm
Cable cross-section, input side	0.75...1.5 mm ²
Cable cross-section, output side	0.75...1.5 mm ²
Wire preparation length, input side	5.0 mm
Product weight	459.00 g

Colors & materials

Casing material	Plastic
------------------------	---------

Temperatures & operating conditions

Ambient temperature range	-20...+50 °C
Maximum temperature at tc test point	90 °C
Max.housing temperature in case of fault	110 °C
Temperature range at storage	-40...+85 °C
Permitted rel. humidity during operation	5...85 % ¹⁾

1) Non-condensing

Lifespan

ECG lifetime	50000 h ¹⁾
---------------------	-----------------------

1) At maximum $T_c = 90^\circ\text{C}$ / 10% failure rate

Capabilities

Dimmable	No
Max. cable length to lamp/LED module	3.0 m ¹⁾
Suitable for fixtures with prot. class	I / II
Number of channels	1
Overheating protection	Yes
Overload protection	Yes
Short-circuit protection	Yes
Intended for no-load operation	No
No-load proof	Yes

1) Output wires must be routed as close as possible to each other

Certificates & standards

Approval marks – approval	CE / CCC / RCM / MM ¹⁾
Standards	Acc. to EN 61347-1 / Acc. to EN 61347-2-13 / Acc. to EN 62384 / Acc. to EN 61000-3-2 / Acc. to EN 61000-3-3 / Acc. to EN 61547 / Acc. to IEC 61347-1 / Acc. to IEC 61347-2-13 / Acc. to IEC 61000-3-2 / Acc. to IEC 61000-3-3 / Acc. to IEC 62384 / Acc. to IEC 61547
Type of protection	IP20

1) In preparation

Logistical data

Commodity code	85044083900
-----------------------	-------------

Environmental information

Information according Art. 33 of EU Regulation (EC) 1907/2006 (REACH)	
Date of Declaration	29-07-2024
Primary Article Identifier	4062172168045
Declaration No. in SCIP database	In work
SCIP_STATUS	In work
SCIP_ID	

Ecodesign regulation information:

Intended for use with LED modules.

The forward voltage of the LED light source shall be within the defined operating window of the control gear in all operating conditions including dimming if applicable.

Separate control gear and light sources must be disposed of at certified disposal companies in accordance with Directive 2012/19/EU (WEEE) in the EU and with Waste Electrical and Electronic Equipment (WEEE) Regulations 2013 in the UK. For this purpose, collection points for recycling centres and take-back systems (CRSO) are available from retailers or private disposal companies, which accept separate control gear and light sources free of charge. In this way, raw materials are conserved and materials are recycled.

Download Data

File		
Mandatory Publications	PDF	▶ IT FIT CE 4242539 05 240724
Mandatory Publications	PDF	▶ IT FIT 24 UKD 4281065 02 240724

Logistical Data

Product code	Product description	Packaging unit (Pieces/Unit)	Dimensions (length x width x height)	Volume	Gross weight
4062172168045	IT FIT 120/220-240/24	Shipping carton box 30 Pieces	485 x 300 x 145 mm	21.10 dm ³	487.70 g

The mentioned product code describes the smallest quantity unit which can be ordered. One shipping unit can contain one or more single products. When placing an order, for the quantity please enter single or multiples of a shipping unit

CBP_0X.00 References / Link, all [calc.]

* For more information on the multi-level guarantee and the terms and conditions of the guarantee visit <https://www.inventronics-light.com/multilevel-guarantees>

Disclaimer

Subject to change without notice. Errors and omission excepted. Always make sure to use the most recent release.